



ELECTRO-OPTICS

ROMEO4T™

1x20mm COMPACT RED DOT SIGHT

OWNERS MANUAL

SIG SAUER®

TABLE OF CONTENTS

Introduction	3
Contents	4
Key Features	5
Configurations	6
Operation	7
Mounting The Sight	9
Sight Adjustments	10
Maintenance	11
Troubleshooting	11
Specifications	12
SIG SAUER® Electro-Optics Infinite Guarantee™	14
SIG SAUER Electronic & Tritium Component Limited 5-Year Warranty	15

INTRODUCTION

Congratulations on the purchase of your ROMEO4T™ Compact Red Dot Sight. The ROMEO4T features our Quad ballistic circle dot with 4 reticles to choose from. Solar cells, combined with Sig Sauer MOTAC™ technology provide industry leading runtime and vivid day time performance. With the brightest dot, clearest optics, and ultra-low parallax performance, ROMEO4T is the most advanced reflex sight.

The ROMEO4T Compact Red Dot Sight includes lens covers, adjustment tool, battery and operating instructions. The ROMEO4T is covered by SIG SAUER Electro-Optics Infinite Guarantee and SIG SAUER Electronic & Tritium Component Limited 5-Year Warranty.

This manual may be available in the following languages: French, Spanish, German, Italian, Portuguese, Russian, Afrikaans, Swedish, and Norwegian. Please visit sigsauer.com for Owners Manual downloads.

CONTENTS:

- ROMEO4T™ 1x20mm Compact Red Dot Sight
- Opaque Flip-back Lens Covers
- Clear Flip-Back Lens Covers
- CR2032 or AAA Battery (depending on model)
- Low Profile Torx Mount
- Comes configured for 1.41" Absolute Co-Witness
- 1.63" lower 1/3rd spacer kit
- 1/2" Hex Bolt Mount
- Lens Cloth
- Torx Tool
- Thread-In Kill Flash

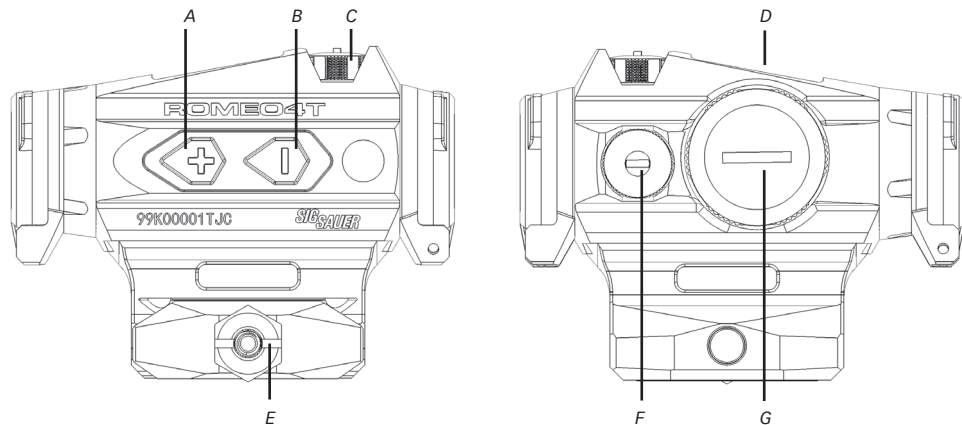
KEY FEATURES:

- High performance coatings for excellent light transmittance and red dot contrast in all situations
- Compact size, weight with unlimited eye-relief and ultra-low parallax operation
- Ballistic circle dot quad reticle option
- MOTAC™ – Motion activated illumination control powers up when it senses motion and powers down when at rest. Extends the LED runtime in excess of 50,000 hours in normal use
- Low profile and 1.41" M1913 absolute co-witness riser mounts with each sight
- Milled from aircraft grade 7075-T6 CNC aluminum ensures a lifetime of reliable service
- Dependable IPX-8 waterproof and fog proof performance (66 ft submersion for 30 minutes)
- SIG SAUER® Electro-Optics Infinite Guarantee™ and SIG SAUER Electronic & Tritium Component Limited 5-Year Warranty

PRODUCT IDENTIFICATION

- A – (+) Illumination Control – Turn ON/OFF or Increase Brightness
 B – (-) Illumination Control – Turn ON/OFF or Decrease Brightness
 C – Elevation Adjustment
 D – Solar Cell

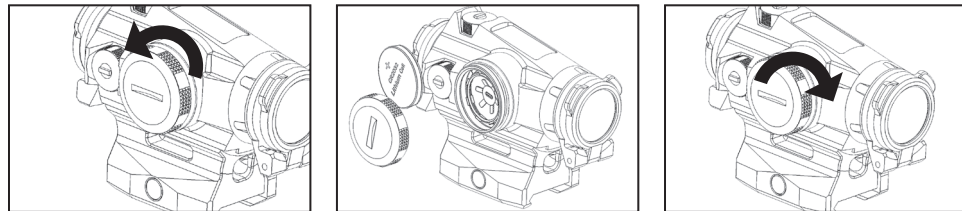
- E – 1/2" Hex Bolt
 F – Windage Adjustment
 G – Battery Compartment
 for CR2032 models

**⚠ WARNING**

Before working on your ROMEO4T™ sight always ensure that the firearm is unloaded with the safety on.

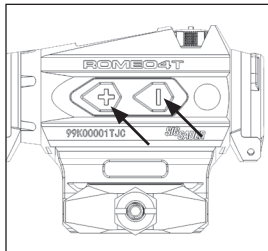
OPERATION**Installing the battery**

The battery compartment is located on the right side of the sight. Remove the battery cap by rotating the cap in the counter-clockwise (CCW) direction. Insert the CR2032 coin cell battery negative (-) contact first. The positive (+) contact should be facing outward. Reinstall the battery cap by rotating the cap in the clockwise (CW) direction until finger tight.



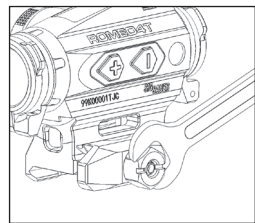
Turning Sight On and Off / Illumination Control

- On/Off buttons and illumination control is located on the top of the ROMEO4T™. Press and hold either the (+) or (-) button for more than 1 second to turn the sight on.
- To turn the sight off press and hold either the (+) or (-) button for more than 1 second.
- Once the reticle is illuminated, you can increase the apparent brightness by pressing and releasing the (+) button; or decrease the brightness by pressing and releasing the (-) button.
- All ROMEO4® sights come with a quad reticle feature. To select a reticle, press and hold both the (+) and (-) buttons until the desired reticle is shown.
- The sight features MOTAC™ and will automatically turn off after 120 seconds of nonuse. As soon as the sight senses motion it will automatically power back on to the current setting.
- The sight has 12 illumination settings, 10 daytime and 2 NV.



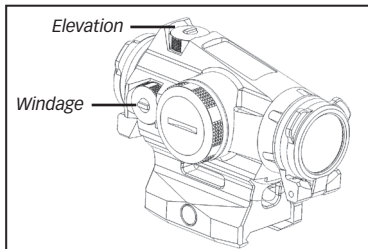
MOUNTING THE SIGHT

- The low profile Torx mount that comes with your ROMEO4T™ is designed for direct low mounting of the red-dot sight. Simply loosen the T10 Torx cross-slot bolt with the provided tool; install on your rail and retighten to approximately 18-20 in/lbs.
- An additional riser mount is provided with each sight. The riser mount is designed to be an absolute or true co-witness to most iron sights with a nominal mount height of 1.41 inches. A 1/2" hex bolt riser mount is provided. For installation, the 1/2" Hex nut should be tightened to 65 in-lbs. *Maximum torque for the Torx screws that secure the sight's riser mount to the sight is 15 in/lbs. Maximum torque on the 1/2" Hex nut is 130 in-lbs.
- The ROMEO4T was designed for use on most types of firearms that utilize the MIL-STD 1913 Picatinny Rail or Weaver style rails. Because the ROMEO4T has infinite eye relief, the sight can be mounted anywhere on the firearms rail system forward or back.



SIGHT ADJUSTMENTS

- Windage and elevation adjustments are located on the rear top and rear right side of the sight. The windage cap can be used to make adjustments to windage and elevation dials in order to make adjustments to the point of aim of your sight.
- Elevation adjustments - the elevation adjustment is on the top of your sight. To raise your point of impact turn the adjustment CCW with the cap or adjustment tool. Each click is equal to 0.5 MOA. To lower the point of impact turn the adjustment clockwise (CW).
- Windage adjustments - the windage adjustment is on the right side of your sight. To shift your point of impact to the right turn the adjustment CCW with the cap or adjustment tool. Each click is equal to 0.5 MOA. To shift the point of impact to the left turn the adjustment clockwise (CW).



Elevation Adjustment		
POI Up	↑	↺
POI Down	↓	↻
Windage Adjustment		
POI Right	→	↺
POI Left	←	↻

MAINTENANCE

- Cleaning – Keep your lenses clear by using a soft cloth or lens pen. The best way to maintain image quality is by keeping your lenses clear of dirt and dust that cause scratches.
- Always use your sight cover to ensure that the sight optics remain scratch free.

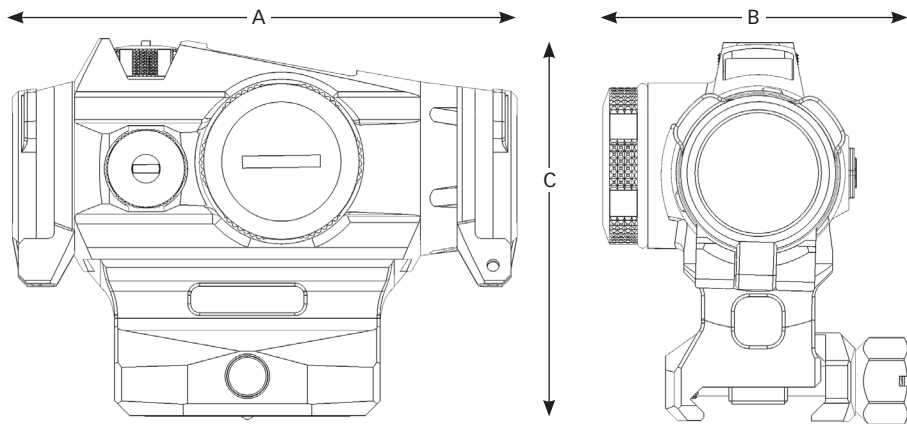
TROUBLESHOOTING

POI changes between groups

- Check that the mount is affixed tightly to the rail
- Check/Clean your firearm
- Check for variations in ammunition

ROME04T™ SPECIFICATIONS

Dot Size	2 MOA
Magnification	1x
Clear Aperture	20mm
Illumination Settings	10 Day / 2NV
Elevation Adjustment Range	100 MOA
Windage Adjustment Range	100 MOA
Weight (CR2032 Models)	6.2 oz / 178 g

**ROME04T™ (CR2032 Model):**

A – 3.33 in / 84.6mm

B – 1.83 in / 46.5mm

C – 2.46 in / 62.6mm



SIG SAUER Electro-Optics Infinite Guarantee™

SIG SAUER has manufactured the most rugged, dependable high-performance firearms for over two centuries. Our heritage of design, engineering and precision-manufactured quality predates the existence of any other optics company worldwide. We understand the importance of quality in the line of fire, at the shooting range or on your next hunt. SIG SAUER Electro-Optics had to earn the right to wear that badge and the Infinite Guarantee has your back, forever. Period.

We will repair or replace your SIG SAUER product in the event it becomes damaged or defective, at no charge to you. If we cannot repair your product, we will replace it with a product in perfect working order of equal or better physical condition. It doesn't matter how it happened, whose fault it was, or where you purchased it.

SIG SAUER Infinite Guarantee™

- Unlimited Lifetime Guarantee
- Fully Transferable
- No Warranty Card Required
- No Receipt Required
- No Time Limit Applies
- No Charge

If you ever have a problem, no matter the cause, we promise to take care of you when it counts. Please note that our Infinite Guarantee does not provide coverage for intentional damage, misuse, cosmetic damage that does not affect the performance of the optic, loss, theft or unauthorized repair or modification. Excludes electronic components.



SIG SAUER Electronic & Tritium Component Limited 5-Year Warranty

For components not included under the SIG SAUER® Infinite Guarantee™, this warranty covers any defects in materials and workmanship in the electronic and Tritium components of illuminated riflescopes/sights, pistol sights, electronic sights, flashlights, lasers, binoculars, spotting scopes, and rangefinders. This warranty lasts for five years from the date of manufacture. If, during that five-year period, these products are found

to have electronic or Tritium component defects in materials or workmanship, SIG SAUER will repair your product, at no charge to you. If we cannot repair your product, we will replace it with a product in perfect working order of equal or better physical condition.



⚠ WARNING: CANCER AND REPRODUCTIVE HARM – www.P65Warnings.ca.gov



FOR PRODUCT SERVICE ON THIS MODEL, PLEASE CALL 603-610-3000

27100 SW Parkway Ave., Wilsonville, OR 97070 USA