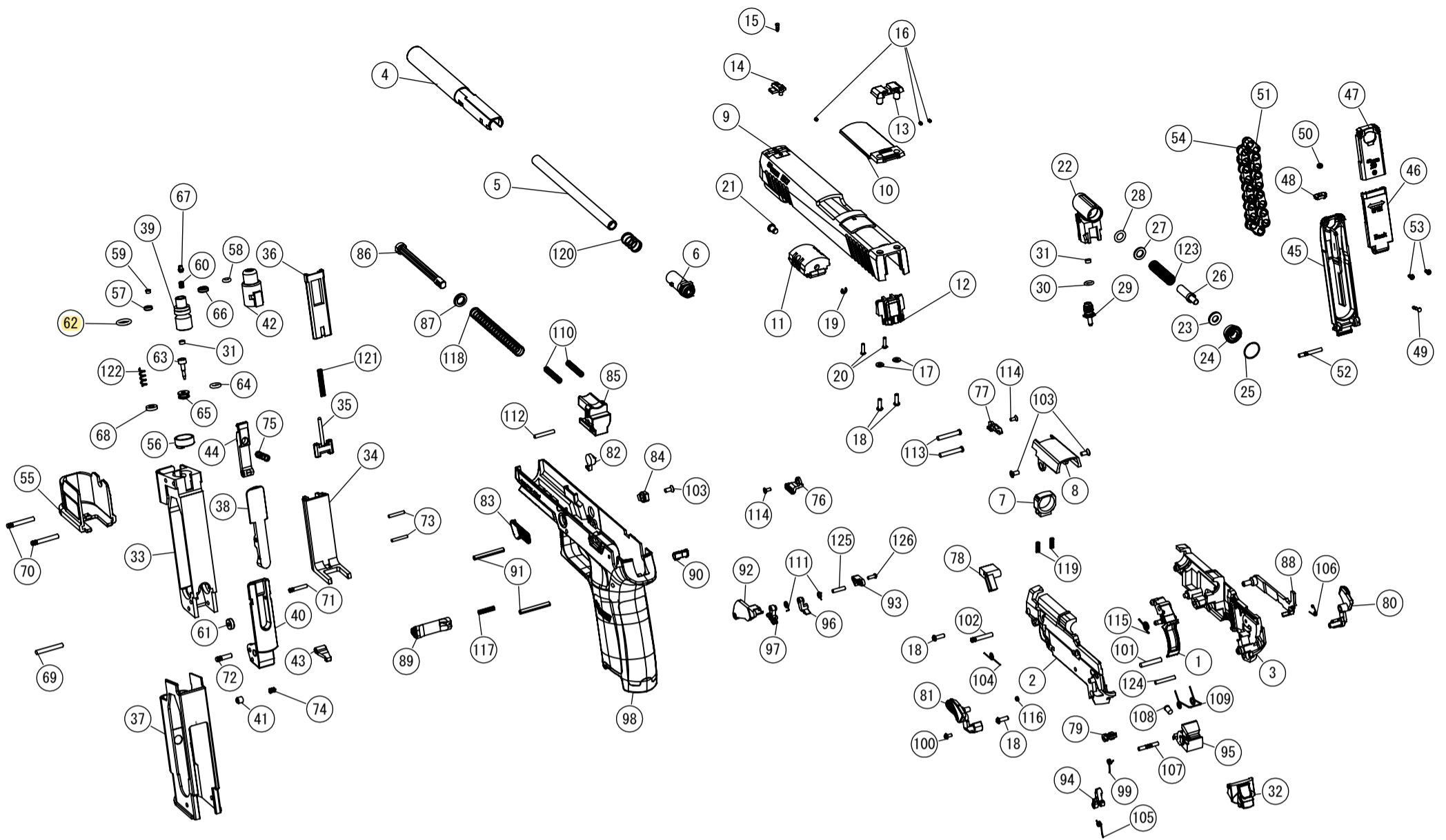


Sig Sauer P320-M17

Exploded Diagram



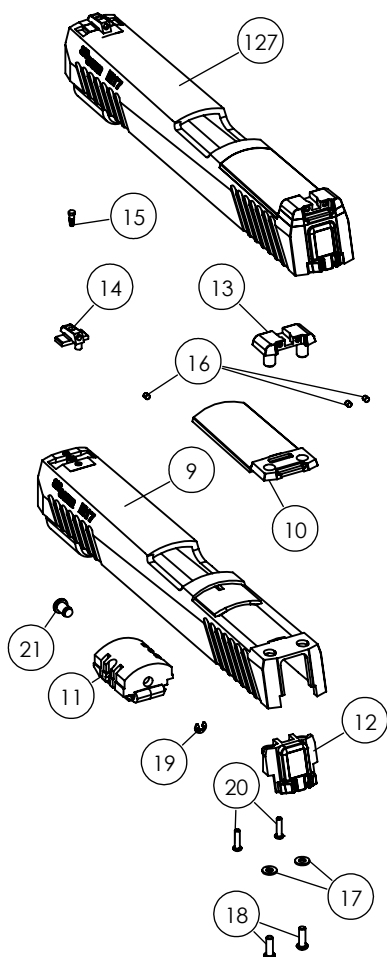
No.	Name of Parts
1	Trigger
2	Mechanism Frame Left
3	Mechanism Frame Right
4	Outer Barrel
5	Inner Barrel
6	Outer Barrel End
7	Outer Barrel Catch
8	Port Cover
9	Slide
10	Slide Cover
11	Cylinder Block
12	Slide End
13	Rear Sight
14	Front Sight
15	Front Sight Pin
16	White Dot
17	Slide End Washer
18	Common Screw
19	E-ring NTE
20	Cylinder Block Screw
21	Hit Pin
22	Valve Body
23	Valve Seal
24	Valve Cap
25	Piston Ring
26	Valve pin
27	Washer
28	O-ring P-6 Urethane
29	Joint Nozzle
30	O-ring S-5
31	Filter $\Phi 4 \times 2$
32	Frame End
33	Puncture Frame
34	Ejector Frame
35	Ejector Spring Guide
36	Ejector
37	Magazine Case
38	Puncture Clamp
39	Puncture Sleeve
40	Puncture Lever
41	Puncture Clamp Lock
42	Puncture Top
43	Magazine Damper Lock

No.	Name of Parts
44	Bullet Catch
45	Magazine Front Cover
46	Magazine Rear Cover B
47	Magazine Rear Cover A
48	Clip Click
49	Magazine Rear Cover A Pin
50	Clip Click Spring
51	Clip Piece
52	Magazine Rear Cover B Pin
53	Magazine Screw
54	Clip Joint
55	Magazine Damper
56	Pierce Cap
57	Joint Valve Seal
58	O-Ring P-3 Urethane
59	Joint Valve Seal Collar
60	Joint Valve Spring
61	Clamp Roller
62	O-Ring P-8
63	Pierce Pin
64	O-Ring P-5 Urethane
65	Pierce Ring
66	O-Ring Guide
67	Joint Valve
68	Pierce Seal
69	Puncture Clamp Pin
70	Puncture Frame Pin
71	Clamp Pin
72	Clamp Roller Pin
73	Ejector Frame Pin
74	Clip Latch Spring
75	Bullet Catch Spring
76	Dummy Slide Stop Left
77	Dummy Slide Stop Right
78	Slide Block
79	Safety Click
80	Safety Right
81	Safety Left
82	Dummy Take Down Lever Right
83	Take Down Lever Left
84	Take Down Cam
85	Recoil Spring Guide Base
86	Recoil Spring Guide

No.	Name of Parts
87	Recoil Spring Washer
88	Trigger Bar
89	Magazine Catch
90	Magazine Catch Stopper
91	Mechanism Frame Spring Pin
92	Nail Arm A
93	Nail Arm B
94	Hammer Block
95	Hammer
96	Clip Stopper
97	Nail
98	Frame
99	Safety Click Spring
100	Safety Left Screw
101	Hammer Block pin
102	Slide Block Pin
103	Take Down Cam Screw
104	Take Down Cam Spring
105	Hammer Block Spring
106	Trigger Bar Spring
107	Hammer Pin
108	Hammer Hit Pin
109	Hammer Spring
110	Buffer Spring
111	Nail Spring
112	Recoil Spring Guide Base Pin
113	Valve Body Pin
114	Dummy Slide Stop Screw
115	Trigger Spring
116	Red Dot
117	Magazine Catch Spring
118	Recoil Spring
119	Outer Barrel Catch Spring
120	Outer Barrel End Spring
121	Magazine Ejector Spring
122	Pierce Spring
123	Valve Spring
124	Safety Click Pin
125	Nail Pin
126	Nail Arm Screw
127	Slide Assembly
128	Nail Assembly
129	Valve Assembly
130	Magazine Assembly
131	Puncture Assembly

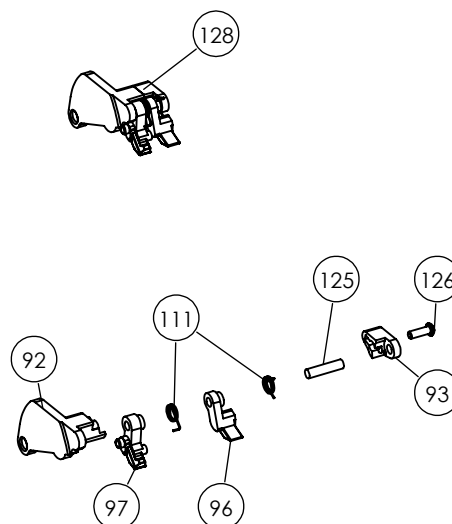
Sig Sauer P320-M17 Sub Assembly List

Slide Assembly



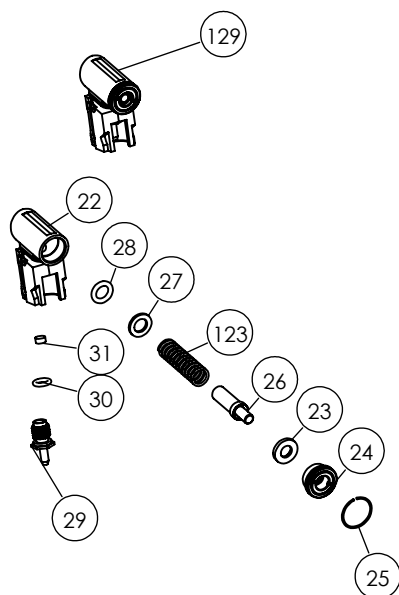
No.	Name of Parts
9	Slide
10	Slide Cover
11	Cylinder Block
12	Slide End
13	Rear Sight
14	Front Sight
15	Front Sight Pin
16	White Dot
17	Slide End Washer
18	Common Screw
19	E-ring NTE
20	Cylinder Block Screw
21	Hit Pin

Nail Assembly



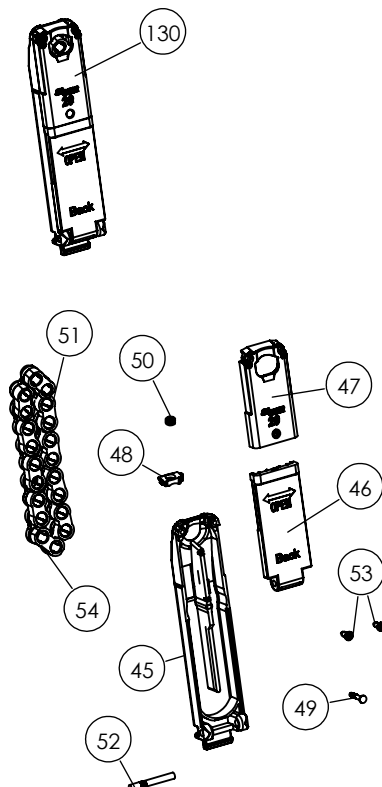
No.	Name of Parts
92	Nail Arm A
93	Nail Arm B
96	Clip Stopper
97	Nail
111	Nail Spring
125	Nail Pin
126	Nail Arm Screw

Valve Assembly



No.	Name of Parts
22	Valve Body
23	Valve Seal
24	Valve Cap
25	Piston Ring
26	Valve pin
27	Washer
28	O-ring P-6 Urethane
29	Joint Nozzle
30	O-ring S-5
31	Filter Φ 4x2
123	Valve Spring

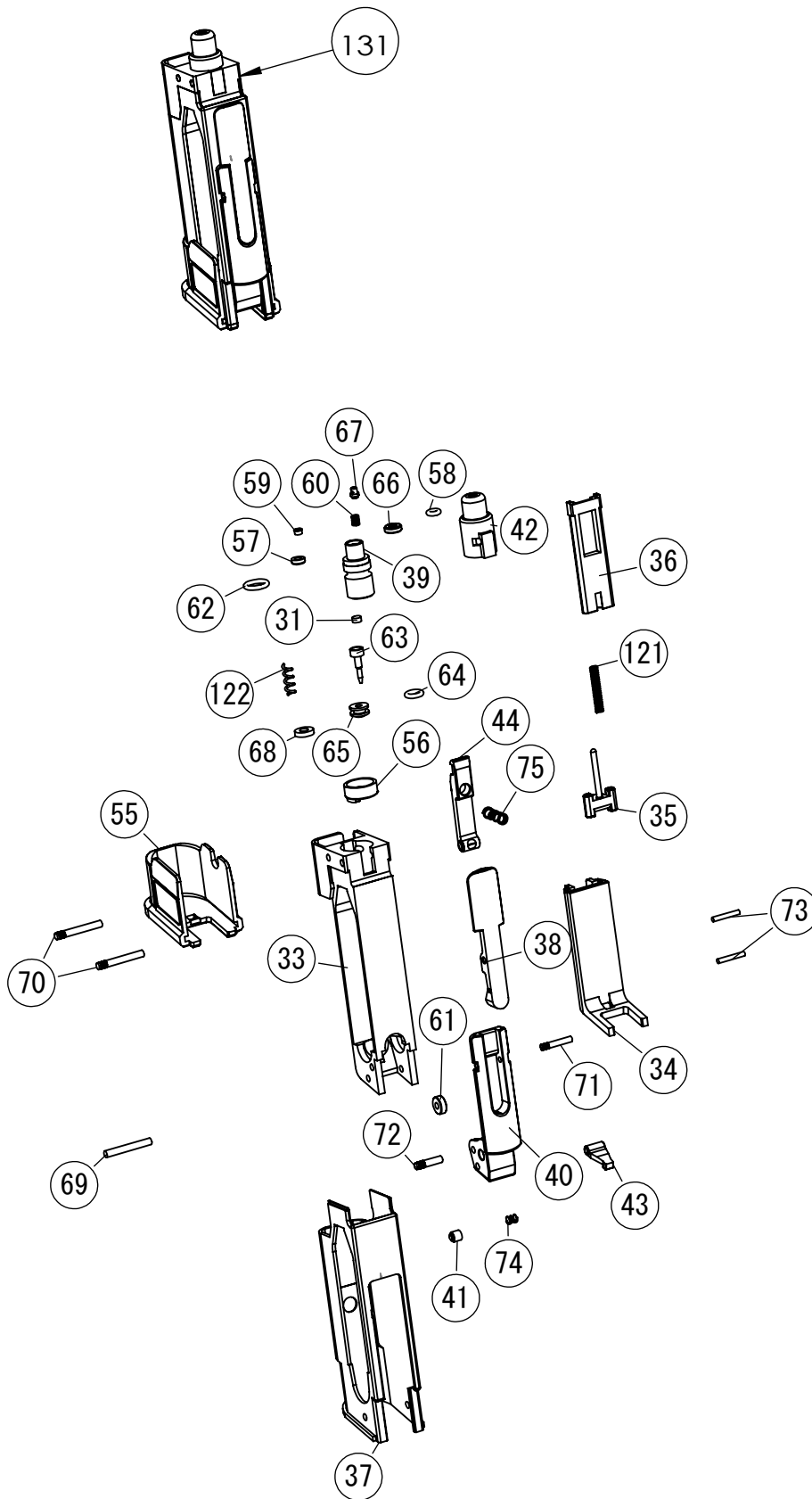
Magazine Assembly



No.	Name of Parts
45	Magazine Front Cover
46	Magazine Rear Cover B
47	Magazine Rear Cover A
48	Clip Click
49	Magazine Rear Cover A Pin
50	Clip Click Spring
51	Clip Piece
52	Magazine Rear Cover B Pin
53	Magazine Screw
54	Clip Joint

Sig Sauer P320-M17 Sub Assembly List

Puncture Assembly



No.	Name of Parts
31	Filter $\Phi 4 \times 2$
33	Puncture Frame
34	Ejector Frame
35	Ejector Spring Guide
36	Ejector
37	Magazine Case
38	Puncture Clamp
39	Puncture Sleeve
40	Puncture Lever
41	Puncture Clamp Lock
42	Puncture Top
43	Magazine Damper Lock
44	Bullet Catch
55	Magazine Damper
56	Pierce Cap
57	Joint Valve Seal
58	O-Ring P-3 Urethane
59	Joint Valve Seal Collar
60	Joint Valve Spring
61	Clamp Roller
62	O-Ring P-8
63	Pierce Pin
64	O-Ring P-5 Urethane
65	Pierce Ring
66	O-Ring Guide
67	Joint Valve
68	Pierce Seal
69	Puncture Clamp Pin
70	Puncture Frame Pin
71	Clamp Pin
72	Clamp Roller Pin
73	Ejector Frame Pin
74	Clip Latch Spring
75	Bullet Catch Spring
121	Magazine Ejector Spring
122	Pierce Spring