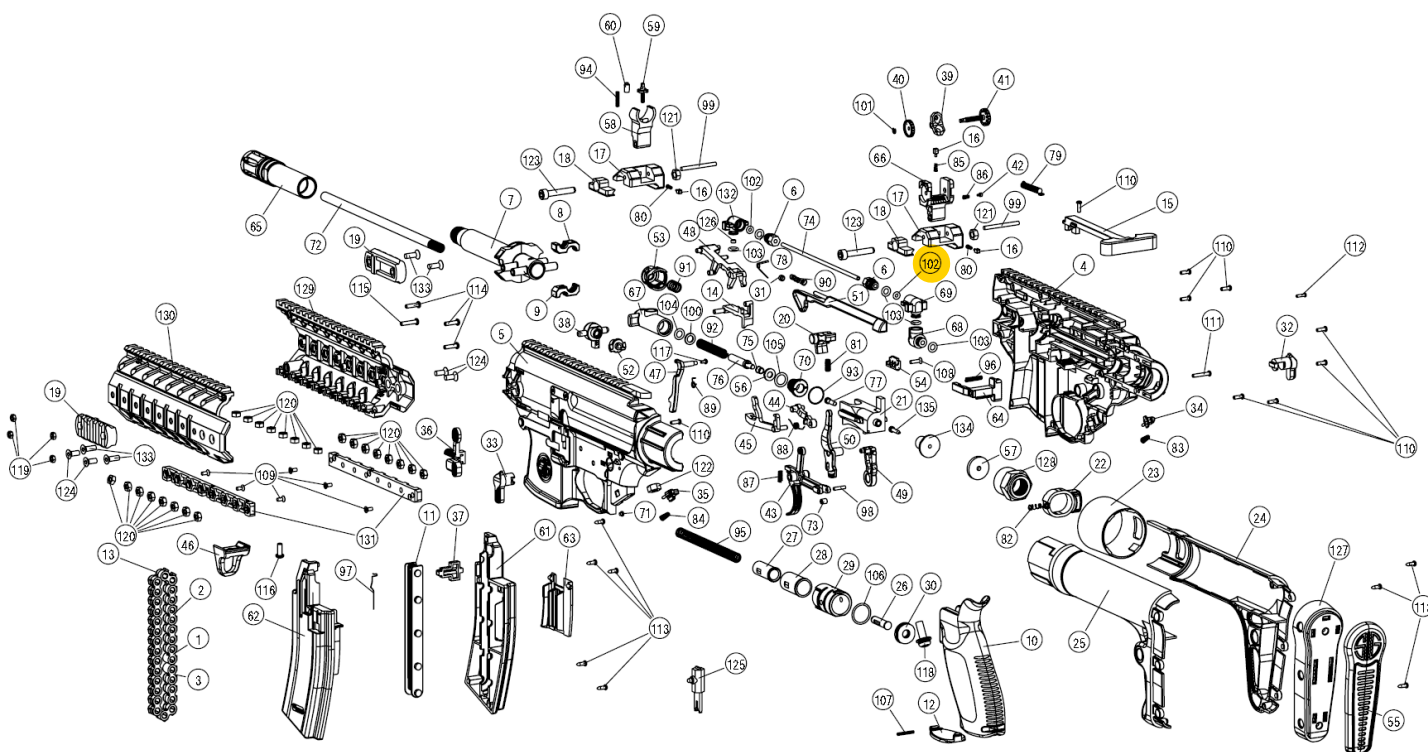


MPX Exploded diagram



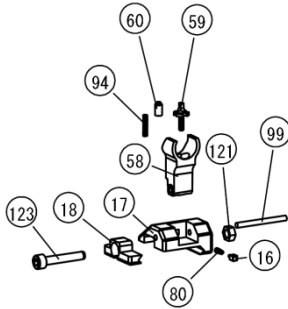
| No. | Name of Parts | No. | Name of Parts | No. | Name of Parts | No. | Name of Parts |
|-----|--------------------------|-----|-----------------------|-----|-------------------------------------|-----|-------------------------|
| 1 | Clip End (for .177cal) | 35 | Safety Click Left | 69 | Valve Joint B | 103 | O-ring P5 1A |
| 2 | Clip Piece (for .177cal) | 36 | Dummy Bolt Release | 70 | Valve Rear Cap | 104 | O-ring P6 Urethane |
| 3 | Clip Head (for .177cal) | 37 | Caliber Indicator | 71 | Red Dot | 105 | O-ring P9 1A |
| 4 | Receiver Right | 38 | Chamber (for .177cal) | 72 | Inner Barrel (for .177cal) | 106 | O-ring S16 1A |
| 5 | Receiver Left | 39 | Diopter | 73 | Trigger Roller (for .177cal) | 107 | Spring Pin 2x16 |
| 6 | O-ring Holder | 40 | Diopter Dial Left | 74 | Pipe $\phi 3 \times 0.5 \times 130$ | 108 | 2.6x10 Screw |
| 7 | Outer Barrel | 41 | Diopter Dial Right | 75 | Valve Packing Holder | 109 | 2.6x6 Screw |
| 8 | Inner Barrel Nut A | 42 | Diopter Dial Click | 76 | Valve Pin | 110 | 2.6x8 Screw |
| 9 | Inner Barrel Nut B | 43 | Trigger | 77 | Hit Pin | 111 | 2.6x16 Screw |
| 10 | Grip | 44 | Trigger Arm | 78 | Clip Stopper Spring | 112 | 2.0x8 Screw |
| 11 | Clip Guide | 45 | Trigger Bar | 79 | Cocking Handle Spring | 113 | 2.6x8 Tapping Screw |
| 12 | Grip Cap | 46 | Knuckle Guard | 80 | Sight Plunger Spring | 114 | M3x12 Screw |
| 13 | Clip Joint | 47 | Nail | 81 | Sear Spring | 115 | M3x15 Screw |
| 14 | Clip Stopper | 48 | Nail Arm | 82 | Stock Catch Spring | 116 | M4x10 Screw |
| 15 | Cocking Handle | 49 | Nail Bar A | 83 | Safety Click Right Spring | 117 | 2.0x4 Screw |
| 16 | Sight Plunger | 50 | Nail Bar B | 84 | Safety Click Left Spring | 118 | M6x18 Screw |
| 17 | Sight Base Right | 51 | Nail Bar C | 85 | Diopter Click Spring | 119 | Hexagon Nut M3 |
| 18 | Sight Base Left | 52 | Nozzle (for .177cal) | 86 | Diopter Dial Click Spring | 120 | Hexagon Nut M4 |
| 19 | Side Rail | 53 | Nozzle Holder | 87 | Trigger Spring | 121 | Hexagon Nut M5 |
| 20 | Sear | 54 | Pipe Holder | 88 | Trigger Bar Spring | 122 | Hexagon Nut M6 |
| 21 | Cylinder Block | 55 | Butt Pad | 89 | Nail Spring | 123 | M5x28 Bolt |
| 22 | Stock Catch | 56 | Valve Packing | 90 | Nail Bar C Spring | 124 | M4x10 Bolt |
| 23 | Stock Cap | 57 | Pierce Packing | 91 | Nozzle Spring | 125 | Sight Adjustment Wrench |
| 24 | Stock Right | 58 | Front Sight | 92 | Valve Spring | 126 | Filter |
| 25 | Stock Left | 59 | Post | 93 | Piston Ring | 127 | Butt Plate |
| 26 | Spring Guide | 60 | Post Click | 94 | Post Click Spring | 128 | Puncture Cover |
| 27 | Spring Guide A | 61 | Magazine Outer Right | 95 | Bolt Return Spring | 129 | Hand Guard Right |
| 28 | Spring Guide B | 62 | Magazine Outer Left | 96 | Magazine Catch Spring | 130 | Hand Guard Left |
| 29 | Spring Guide C | 63 | Magazine Cover | 97 | Latch Spring | 131 | Nut Holder |
| 30 | Spring Guide Base | 64 | Magazine Catch | 98 | Knurling Pin $\phi 2.5 \times 11$ | 132 | Valve Joint C |
| 31 | Spring Base | 65 | Muzzle (for .177cal) | 99 | Knurling Pin $\phi 3 \times 34$ | 133 | M4x12 Bolt |
| 32 | Safety Lever Right | 66 | Rear Sight | 100 | Valve Washer | 134 | Pierce Flange |
| 33 | Safety Lever Left | 67 | Valve Body | 101 | E-ring ETW2 | 135 | Pierce Pin |
| 34 | Safety Click Right | 68 | Valve Joint A | 102 | O-ring P3 1A | | |

MPX Sub Assembly list

136. Front Sight Assembly

Assembled by

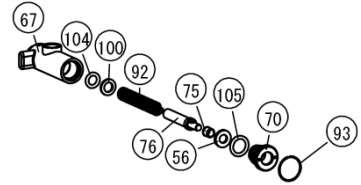
- | | |
|----------------------|----------------------------------|
| 16. Sight Plunger | 80. Sight Plunger Spring |
| 17. Sight Base Right | 94. Post Click Spring |
| 18. Sight Base Left | 99. Knurling Pin ϕ 3.0 x 34 |
| 58. Front Sight | 121. Hexagon Nut M5 |
| 59. Post | 123. M5 x 28 Bolt |
| 60. Post Click | |



138. Valve Assembly

Assembled by

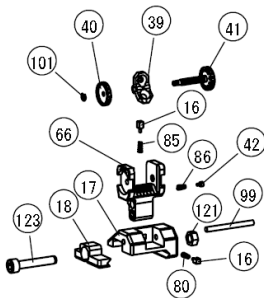
- | | |
|--------------------------|-------------------------|
| 56. Valve Packing | 92. Valve Spring |
| 67. Valve Body | 93. Piston Ring |
| 70. Valve Rear Cap | 100. Valve Washer |
| 75. Valve Packing Holder | 104. O-ring P6 urethane |
| 76. Valve Pin | 105. O-ring P9 1A |



137. Rear Sight Assembly

Assembled by

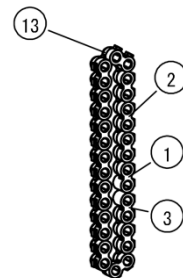
- | | |
|------------------------|----------------------------------|
| 16. Sight Plunger | 80. Sight Plunger Spring |
| 17. Sight Base Right | 85. Diopter Click Spring |
| 18. Sight Base Left | 86. Diopter Dial Click Spring |
| 39. Diopter | 99. Knurling Pin ϕ 3.0 x 34 |
| 40. Diopter Dial Left | 101. E-ring ETW2 |
| 41. Diopter Dial Right | 121. Hexagon Nut M5 |
| 42. Diopter Dial Click | 123. M5 x 28 Bolt |
| 66. Rear Sight | |



139. Clip Assembly (for .177cal)

Assembled by

1. Clip End (for .177 Cal.)
2. Clip Piece (for .177 Cal.)
3. Clip Head (for .177 Cal.)
13. Clip Joint



MPX Sub Assembly list

140. Magazine Box Assembly

Assembled by

11. Clip Guide

37. Caliber Indicator

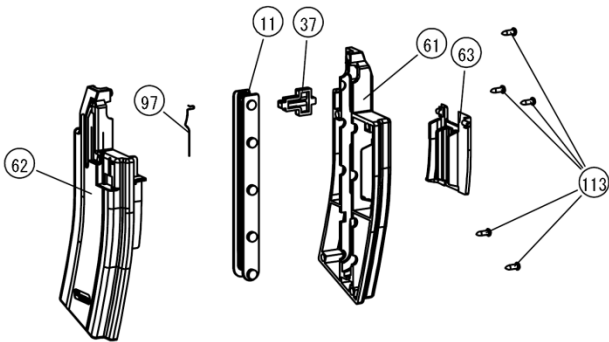
61. Magazine Outer Right

62. Magazine Outer Left

63. Magazine Cover

97. Latch Spring

113. 2.6 x 8 Tapping Screw



141. Stock Assembly

Assembled by

23. Stock Cap

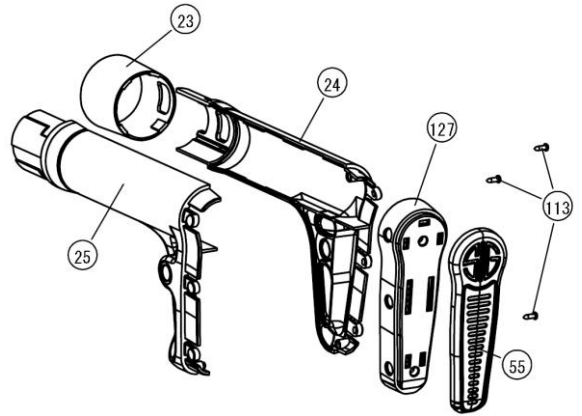
24. Stock Right

25. Stock Left

55. Butt Pad

113. 2.6 x 8 Tapping Screw

127. Butt Plate



142. Transfer Tube Assembly

Assembled by

6. O-ring Holder

69. Valve Joint B

74. Pipe $\phi 3 \times t0.5 \times 130$

102. O-ring P3 1A

103. O-ring P5 1A

126. Filter

132. Valve Joint C

