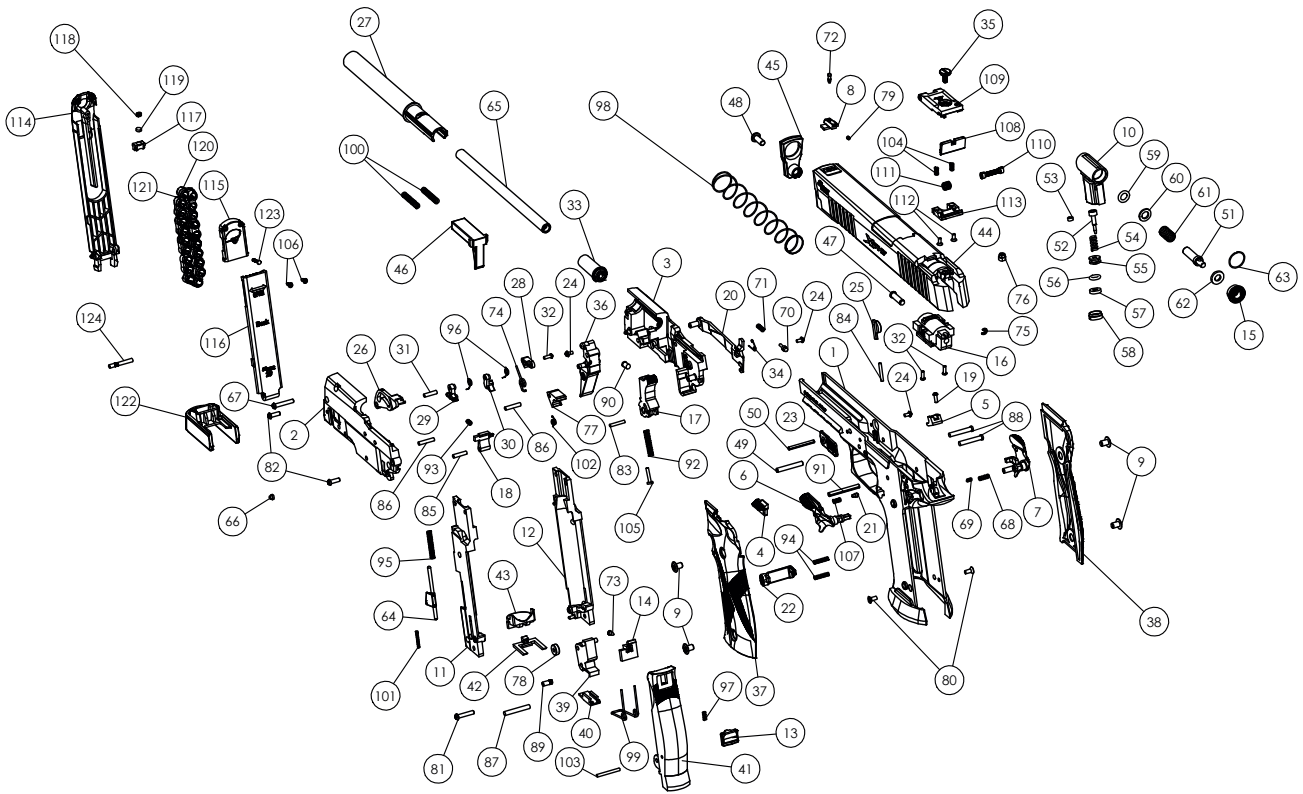


PRODUKTZEICHNUNG

SIG SAUER P320 XFIVE CO₂

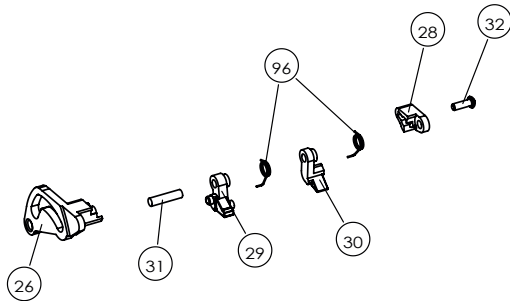
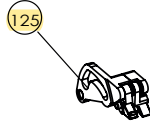
SIG SAUER®



No.	Name of Parts	No.	Name of Parts	No.	Name of Parts	No.	Name of Parts
1	Frame	34	Trigger Bar Spring	67	Outer Barrel Screw	100	Buffer Spring
2	Mechanism Frame Left	35	Rear Sight Elevation Dial	68	Safety Spring	101	Cylinder Base Spring
3	Mechanism Frame Right	36	Trigger	69	Safety Guide Spring	102	Hammer Block Spring
4	Dummy Slide Stop	37	Grip Left	70	Safety Click B	103	Puncture Clamp Spring Pin
5	Safety Hook	38	Grip Right	71	Safety Click B Spring	104	Rear Sight Spring
6	Safety Lever Left	39	Puncture Clamp	72	Front Sight Pin	105	Hammer Spring Guide
7	Safety Lever Right	40	Puncture Clamp Bottom	73	Grip Switch Nail Screw	106	Magazine Screw
8	Front Sight	41	Back Grip	74	Trigger Spring	107	Safety Click A Spring
9	Grip Screw	42	Puncture Frame Cover	75	E-ring ETW-2	108	Rear Sight leaf
10	Valve Body	43	Cylinder Base	76	Rear Sight Nut	109	Rear Sight Base A
11	Puncture Frame Left	44	Slide	77	Hammer Block	110	Windage Dial
12	Puncture Frame Right	45	Barrel Bushing	78	Clamp Roller	111	Windage Dial Spring
13	Grip Switch	46	Slide Block	79	White Dot	112	Rear Sight Screw
14	Grip Switch Nail	47	Hit Pin	80	Frame Screw	113	Rear Sight Base B
15	Valve Cap	48	Barrel Bushing Screw	81	Puncture Frame Screw	114	Magazine Front Cover
16	Cylinder Block	49	Mechanism Frame Spring Pin Short	82	Mechanism Frame Screw	115	Magazine Rear Cover A
17	Hammer	50	Slide Block Spring Pin	83	Hammer Spring Pin	116	Magazine Rear Cover B
18	Sear	51	Valve Pin	84	Magazine Catch Pin	117	Clip Click
19	Safety Hook Screw	52	Pierce Pin	85	Sear Pin	118	Clip Click Spring
20	Trigger Bar	53	Filter	86	Common Pin A	119	Magnet
21	Safety Click A	54	Pierce Spring	87	Puncture Clamp Pin	120	Clip Piece
22	Magazine Catch	55	Pierce Ring	88	Valve Body Pin	121	Clip Joint
23	Dummy Take Down Lever Left	56	O-Ring P-5 Urethane	89	Clamp Roller Pin	122	Magazine Bumper
24	Common Screw A	57	Pierce Seal	90	Hammer Pin	123	Magazine Rear Cover A Pin
25	Dummy Take Down Lever Right	58	Pierce Cap	91	Mechanism Frame Spring Pin Long	124	Magazine Rear Cover B Pin
26	Nail Arm A	59	O-ring P-6 Urethane	92	Hammer Spring	125	Nail Assembly
27	Outer Barrel	60	Valve Washer	93	Sear Spring	126	Back Grip Assembly
28	Nail Arm B	61	Valve Spring	94	Magazine Catch Spring	127	Valve Assembly
29	Nail	62	Valve Seal	95	Magazine Release Spring	128	Slide Assembly
30	Clip Stopper	63	Piston Ring	96	Common Spring A	129	Magazine Assembly
31	Nail Pin	64	Magazine Release	97	Grip Switch Spring		
32	Common Screw B	65	Inner Barrel	98	Slide Return Spring		
33	Outer Barrel End	66	Red Dot	99	Puncture Clamp Spring		

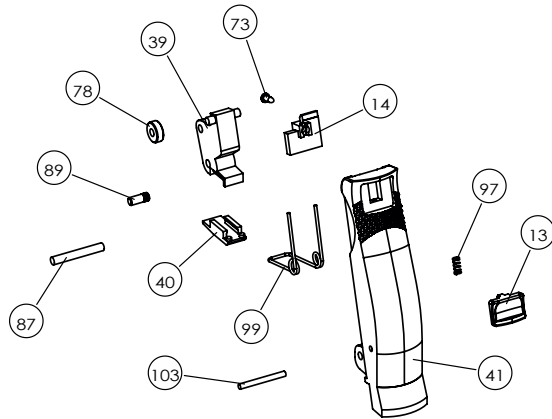
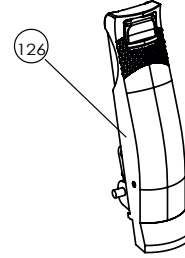
125. Nail Assembly

No.	Name of Parts
26	Nail Arm A
28	Nail Arm B
29	Nail
30	Clip Stopper
31	Nail Pin
32	Common Screw B
96	Common Spring A



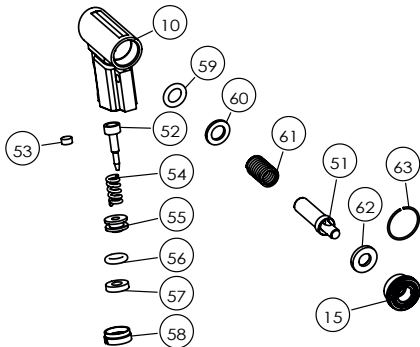
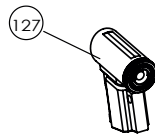
126. Back Grip Assembly

No.	Name of Parts
13	Grip Switch
14	Grip Switch Nail
39	Puncture Clamp
40	Puncture Clamp Bottom
41	Back Grip
73	Grip Switch Nail Screw
78	Clamp Roller
87	Puncture Clamp Pin
89	Clamp Roller Pin
97	Grip Switch Spring
99	Puncture Clamp Spring
103	Puncture Clamp Spring Pin



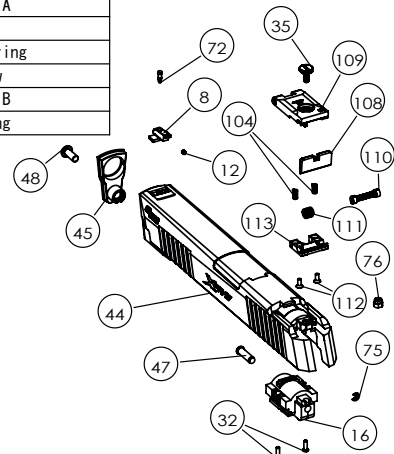
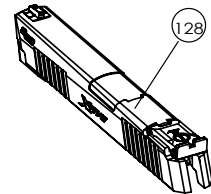
127. Valve Assembly

No.	Name of Parts
10	Valve Body
15	Valve Cap
51	Valve Pin
52	Pierce Pin
53	Filter
54	Pierce Spring
55	Pierce Ring
56	O-Ring P-5 Urethane
57	Pierce Seal
58	Pierce Cap
59	O-ring P-6 Urethane
60	Valve Washer
61	Valve Spring
62	Valve Seal
63	Piston Ring



128. Slide Assembly

No.	Name of Parts
8	Front Sight
16	Cylinder Block
32	Common Screw B
35	Rear Sight Elevation Dial
44	Slide
45	Barrel Bushing
47	Hit Pin
48	Barrel Bushing Screw
72	Front Sight Pin
75	E-ring ETW-2
76	Rear Sight Nut
12	White Dot
108	Rear Sight leaf
109	Rear Sight Base A
110	Windage Dial
111	Windage Dial Spring
112	Rear Sight Screw
113	Rear Sight Base B
104	Rear Sight Spring



129. Magazine Assembly

No.	Name of Parts
114	Magazine Front Cover
115	Magazine Rear Cover A
116	Magazine Rear Cover B
117	Clip Click
118	Clip Click Spring
119	Magnet
120	Clip Piece
121	Clip Joint
122	Magazine Bumper
123	Magazine Rear Cover A Pin
124	Magazine Rear Cover B Pin
106	Magazine Screw

